



**Biblomodel**

Library Steel Shelving

*Elements Display & Shelving System*

## Elements Parts Catalog



## Elements Display & Shelving System

### 36" Width Unit



#### Double Face Unit 36" Width

- 6 Shelves per unit
- 8 Shelves per unit
- 10 Shelves per unit

#### H x W x D

- 42" X 36" X 16"
- 54" X 36" X 20"
- 66" X 36" X 24"

#### Code

- BEU426
- BEU546
- BEU666



#### Single Face Unit 36" Width

- 3 Shelves per unit
- 4 Shelves per unit
- 5 Shelves per unit

#### H x W x D

- 42" X 36" X 8"
- 54" X 36" X 10"
- 66" X 36" X 12"

- BEU425
- BEU545
- BEU665

*Includes Brackets & Leveler*

### 39" Width Unit



#### Double Face Unit 39" Width

- 6 Shelves per unit
- 8 Shelves per unit
- 10 Shelves per unit

#### H x W x D

- 42" X 39" X 16"
- 54" X 39" X 20"
- 66" X 39" X 24"

#### Code

- BEU429
- BEU549
- BEU669



#### Single Face Unit 39" Width

- 3 Shelves per unit
- 4 Shelves per unit
- 5 Shelves per unit

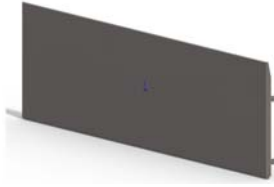
#### H x W x D

- 42" X 39" X 8"
- 54" X 39" X 10"
- 66" X 39" X 12"

- BEU428
- BEU548
- BEU668

*Includes Brackets & Leveler*

### Steel Back Panels



#### Steel Back Panels Tiles 13"

For 36" Wide Unit

H x W  
13" x 36"

Code  
BEPS136

For 39" Wide Unit

13" x 39"

BEPS139

#### Tiles Required by Unit

SF

DF

42" Height

3

6

54" Height

4

8

66" Height

5

10

### Laminated Back Panels



#### Laminated Back Panels

Code

##### For 36" Wide Unit

Back Panel for 42" High Unit

38" x 36"

BEPL426

Back Panel for 54" High Unit

51" x 36"

BEPL546

Back Panel for 66" High Unit

64" x 36"

BEPL666

##### For 39" Wide Unit

Back Panel for 42" High Unit

38" x 39"

BEPL429

Back Panel for 54" High Unit

51" x 39"

BEPL549

Back Panel for 66" High Unit

64" x 39"

BEPL669

### High Pressure Laminated Back Panels



#### HP Laminated Back Panels

H x W

Code

##### For 36" Wide Unit

Back Panel for 42" High Unit

38" x 36"

BEPH426

Back Panel for 54" High Unit

51" x 36"

BEPH546

Back Panel for 66" High Unit

64" x 36"

BEPH666

##### For 39" Wide Unit

Back Panel for 42" High Unit

38" x 39"

BEPH429

Back Panel for 54" High Unit

51" x 39"

BEPH549

Back Panel for 66" High Unit

64" x 39"

BEPH669

### Slat Wall Back Panels



#### Slat Wall Back Panels

#### H x W

#### Code

##### For 36" Wide Unit

Back Panel for 42" High Unit	38" x 36"	BEPR426
Back Panel for 54" High Unit	51" x 36"	BEPR546
Back Panel for 66" High Unit	64" x 36"	BEPR666

##### For 39" Wide Unit

Back Panel for 42" High Unit	38" x 39"	BEPR429
Back Panel for 54" High Unit	51" x 39"	BEPR549
Back Panel for 66" High Unit	64" x 39"	BEPR669

Slat spacing 6.40"

### Fabric Back Panels



#### Fabric Back Panels

#### H x W

#### Code



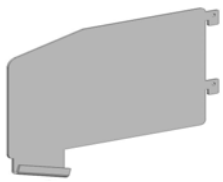

##### For 36" Wide Unit

Back Panel for 42" High Unit	38" x 36"	BEPF426
Back Panel for 54" High Unit	51" x 36"	BEPF546
Back Panel for 66" High Unit	64" x 36"	BEPF666

##### For 39" Wide Unit

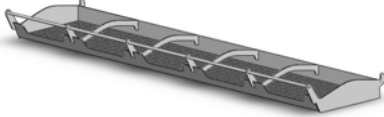
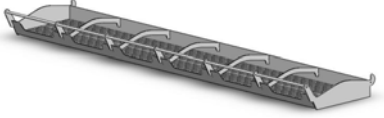
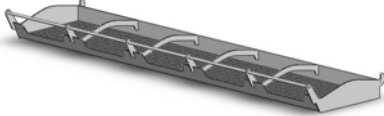
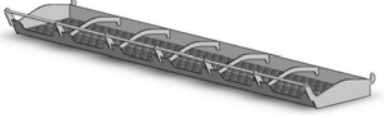
Back Panel for 42" High Unit	38" x 39"	BEPF429
Back Panel for 54" High Unit	51" x 39"	BEPF549
Back Panel for 66" High Unit	64" x 39"	BEPF669

**SHELVES**





		<b>W x D</b>	<b>Code</b>	
	<b>Sloped</b>	36" x 8"	BESF608	
		36" x 10"	BESF610	
		36" x 12"	BESF612	
			39" x 8"	BESF908
			39" x 10"	BESF910
			39" x 12"	BESF912
	<b>Parallel to floor</b>	36" x 8"	BESF607	
		36" x 10"	BESF609	
		36" x 12"	BESF611	
			39" x 8"	BESF907
			39" x 10"	BESF909
			39" x 12"	BESF911
	<b>Left End Divider for Flat Shelves</b>	<b>D</b>	<b>Code</b>	
		8"	BESD083	
		10"	BESD103	
		12"	BESD123	
	<b>Right End Divider for Flat Shelves</b>	8"	BESD084	
		10"	BESD104	
		12"	BESD124	
		Divider height 5"		



**SHELVES**

	<b>Divider Browser Shelves Sloped</b>	<b>W x H x D</b>	<b>Code</b>
	With rubber matt and 5 compartments Sloped	36" x 3" x 6" 36" x 3" x 8" 36" x 3" x 10"	BESS606 BESS608 BESS610
	With rubber matt and 5 compartments Sloped	39" x 3" x 6" 39" x 3" x 8" 39" x 3" x 10"	BESS906 BESS908 BESS910
	With rubber matt and 6 compartments Sloped	36" x 3" x 6" 36" x 3" x 8" 36" x 3" x 10"	BESS607 BESS609 BESS611
	With rubber matt and 6 compartments Sloped	39" x 3" x 6" 39" x 3" x 8" 39" x 3" x 10"	BESS907 BESS909 BESS911
	<b>Divider Browser Shelves Parallel</b>	<b>W x H x D</b>	<b>Code</b>
	With rubber matt and 5 compartments Parallel	36" x 3" x 6" 36" x 3" x 8" 36" x 3" x 10"	BESS506 BESS508 BESS510
	With rubber matt and 5 compartments Parallel	39" x 3" x 6" 39" x 3" x 8" 39" x 3" x 10"	BESS806 BESS808 BESS810
	With rubber matt and 6 compartments Parallel	36" x 3" x 6" 36" x 3" x 8" 36" x 3" x 10"	BESS507 BESS509 BESS511
	With rubber matt and 6 compartments Parallel	39" x 3" x 6" 39" x 3" x 8" 39" x 3" x 10"	BESS807 BESS809 BESS811

**SHELVES**

	<b>Classic Browser Shelves Sloped</b>	<b>W x H x D</b>	<b>Code</b>
	5 compartments Sloped	36" x 3" x 6" 36" x 3" x 8" 36" x 3" x 10"	BESC606 BESC608 BESC610
	5 compartments Sloped	39" x 3" x 6" 39" x 3" x 8" 39" x 3" x 10"	BESC906 BESC908 BESC910
	6 compartments Sloped	36" x 3" x 6" 36" x 3" x 8" 36" x 3" x 10"	BESC607 BESC609 BESC611
	6 compartments Sloped	36" x 3" x 6" 36" x 3" x 8" 36" x 3" x 10"	BESC607 BESC609 BESC611
	6 compartments Sloped	39" x 3" x 6" 39" x 3" x 8" 39" x 3" x 10"	BESC907 BESC909 BESC911
	<b>Classic Browser Shelves Parallel</b>	<b>W x H x D</b>	<b>Code</b>
	5 compartments Parallel	36" x 3" x 6" 36" x 3" x 8" 36" x 3" x 10"	BESC506 BESC508 BESC510
	5 compartments Parallel	39" x 3" x 6" 39" x 3" x 8" 39" x 3" x 10"	BESC806 BESC808 BESC810
	6 compartments Parallel	36" x 3" x 6" 36" x 3" x 8" 36" x 3" x 10"	BESC507 BESC509 BESC511
	6 compartments Parallel	36" x 3" x 6" 36" x 3" x 8" 36" x 3" x 10"	BESC507 BESC509 BESC511
	6 compartments Parallel	39" x 3" x 6" 39" x 3" x 8" 39" x 3" x 10"	BESC807 BESC809 BESC811

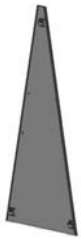
**Steel End Panels**

**Steel End Panels  
Thickness 1/2"**
**H x D****Code****Double Face**

End Panel for 42" High Unit	44" x 21"	BEES422
End Panel for 54" High Unit	56" x 25"	BEES542
End Panel for 66" High Unit	69" x 29"	BEES662

**Single Face**

End Panel for 42" High Unit	44" x 11"	BEES421
End Panel for 54" High Unit	56" x 13"	BEES541
End Panel for 66" High Unit	69" x 15"	BEES661


**Steel End Panels Flush  
Thickness 1/4"**
**H x D****Code****Double Face**

End Panel for 42" High Unit	44" x 21"	BEES424
End Panel for 54" High Unit	56" x 25"	BEES544
End Panel for 66" High Unit	69" x 29"	BEES664

**Single Face**

End Panel for 42" High Unit	44" x 11"	BEES423
End Panel for 54" High Unit	56" x 13"	BEES543
End Panel for 66" High Unit	69" x 15"	BEES663

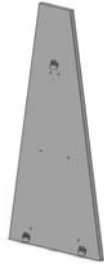

**Steel End Panels  
Thickness 16 ga**
**H x D****Code****Double Face**

End Panel for 42" High Unit	44" x 21"	BEES426
End Panel for 54" High Unit	56" x 25"	BEES546
End Panel for 66" High Unit	69" x 29"	BEES666

**Single Face**

End Panel for 42" High Unit	44" x 11"	BEES425
End Panel for 54" High Unit	56" x 13"	BEES545
End Panel for 66" High Unit	69" x 15"	BEES665

### High Pressure Laminated End Panels



#### HPL End Panels Thickness 3/4"

#### H x D

#### Code

##### Double Face

End Panel for 42" High Unit  
 End Panel for 54" High Unit  
 End Panel for 66" High Unit

44" x 21"  
 56" x 25"  
 69" x 29"

BEEH422  
 BEEH542  
 BEEH662



##### Single Face

End Panel for 42" High Unit  
 End Panel for 54" High Unit  
 End Panel for 66" High Unit

44" x 11"  
 56" x 13"  
 69" x 15"

BEEH421  
 BEEH541  
 BEEH661

### Slat Wall End Panels



#### Slat Wall End Panels Thickness 3/4"

#### H x D

#### Code

##### Double Face

End Panel for 42" High Unit  
 End Panel for 54" High Unit  
 End Panel for 66" High Unit

44" x 21"  
 56" x 25"  
 69" x 29"

BEEP422  
 BEEP542  
 BEEP662

*2 rows per panel*



##### Single Face

End Panel for 42" High Unit  
 End Panel for 54" High Unit  
 End Panel for 66" High Unit

44" x 11"  
 56" x 13"  
 69" x 15"

BEEP421  
 BEEP541  
 BEEP661

*2 rows per panel*



#### Slat wall Panel Shelves

#### H x W x D

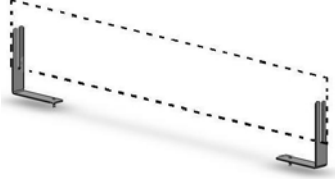
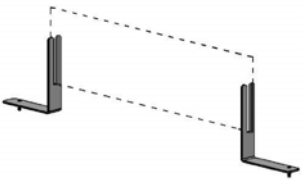

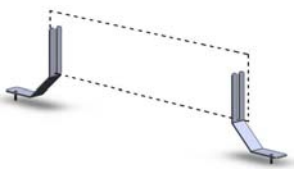
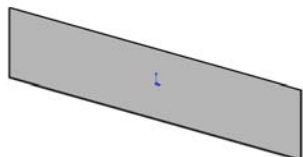
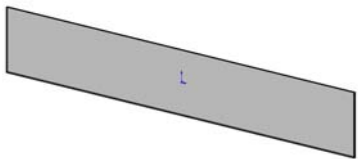
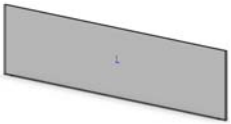

#### Code

Pamphlet Holder

8-1/2 X 3-5/8 X 1  
 8-1/2 X 5-1/2 X 1  
 11 X 8-1/2 X 1

B361076  
 B361077  
 B361078

**Signage**

			<b>Code</b>
	<b>Signage Bracket "L"</b>		BESY710
	36" & 39" acrylic	36" x 8" (D & S) 39" x 8" (D & S)	
	17" acrylic	36" x 8" (D & S) 39" x 8" (D & S)	
	Acrylic piece not included		
	<b>Signage Bracket "J"</b>		BESY900
	36" & 39" acrylic	36" x 8" (D & S) 39" x 8" (D & S)	
	17" acrylic	36" x 8" (D & S) 39" x 8" (D & S)	
	Acrylic piece not included		
	36" acrylic		BESY036
	39" acrylic		BESY039
	17" acrylic		BESY017
	Signage channel 36"		BECEB236
	Signage channel 39"		BECEB239



### Components



**36 " Width**

**H x W**

**Code**

42" x 36"

BEC436

**Steel Frame**

55" x 36"

BEC536

66" x 36"

BEC636



**39 " Width**

42" x 39"

BEC439

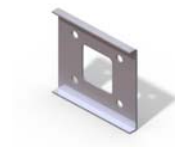
**Steel Frame**

55" x 39"

BEC539

66" x 39"

BEC639



**Plate for Double Face Units**

**42" 54" & 66"**

7" x 7"

BECP07



**Crossbar for Double Face Units**

For 42" high Unit

11"

BEC4214

For 54" high Unit

18"

BEC5418

For 66" high Unit

22"

BEC6622

**Single Face Support**

For 42" high Unit

42" x 36"

BECS426

For 54" high Unit

54" x 36"

BECS546

For 66" high Unit

66" x 36"

BECS666



For 42" high Unit

42" x 39"

BECS429

For 54" high Unit

54" x 39"

BECS549

For 66" high Unit

66" x 39"

BECS669

Includes hardware

**Components**

	<b>Code</b>
 <p data-bbox="862 449 959 478"><b>Leveler</b></p>	BECL456
 <p data-bbox="854 548 967 611"><b>Caster Installed</b></p>	BECC456
 <p data-bbox="748 716 1073 810"><b>Top &amp; Bottom Bracket For Double &amp; Single Face Laminated End Panels</b></p>	BECB25
 <p data-bbox="721 915 1101 978"><b>Top Bracket For SF Laminated End Panels</b></p>	BECB15
 <p data-bbox="721 1047 1101 1110"><b>Bottom Bracket For SF Laminated End Panels</b></p>	BECB16
 <p data-bbox="737 1213 1084 1276"><b>Back Panel Brackets For Laminated Back Panels</b></p>	BECB50
 <p data-bbox="764 1346 1057 1472"><b>Back Panel Support For Fabric Back Panels</b> For 36" wide Units For 39" Wide Units</p>	BECB90 BECB100
 <p data-bbox="797 1545 1024 1640"><b>Canopy Bridge</b> For 36" wide Units For 39" Wide Units</p>	BECB136 BECB139
 <p data-bbox="841 1709 980 1738"><b>Canopy Lid</b></p>	BECB111



**Biblomodel**

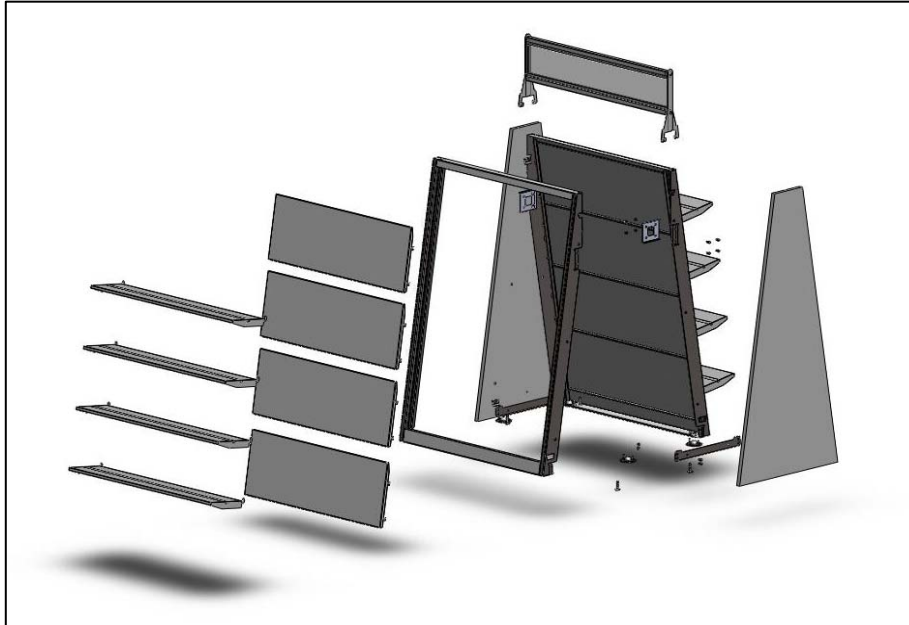
Library Steel Shelving

*Elements Display & Shelving System*

**Elements 54" High Double Face Unit**

Steel Tiles Back Panels

Laminated End Panels



**Elements 54" High Double Face Unit**

Laminated Back Panels

Laminated End Panels

